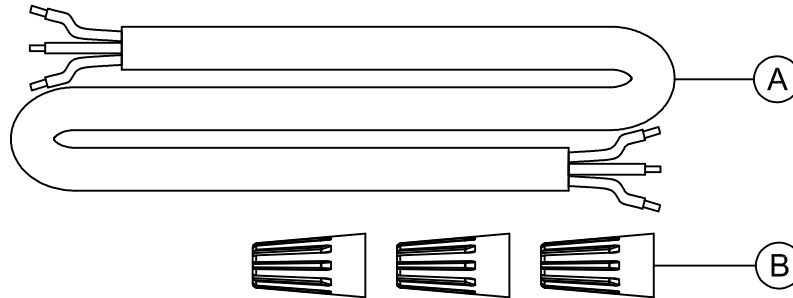


PACKAGE CONTENTS

PART	DESCRIPTION	QUANTITY
A	Cord	1
B	Wire nut	3



ATTACH YOUR RECEIPT HERE

Purchase Date _____



Safety Information

Please read and understand this entire manual before attempting to assemble, operate or install the product.

CAUTION: Read instructions carefully and turn electricity off at main circuit breaker panel before beginning installation.

CAUTION: Risk of fire. Min. 90°C supply conductors. Consult a qualified electrician to ensure correct branch circuit conductor.

WARNING: If any Special Control Devices are used with this fixture, follow instructions carefully to assure full compliance with N.E.C. requirements. If there are any questions, contact a qualified electrical contractor.

CAUTION: All glass is fragile. Use care when handling glass shades and bulbs.

WARNING: To comply with the National Electrical Code and Underwriters Laboratories requirements, use indoor or outdoor.

Preparation

1. Before beginning installation, make sure all parts are included using the contents diagrams from page 1. If any part is missing or damaged, do not attempt to assemble, install or operate the product.

2. Estimated assembly time: 30 minutes.

3. Tools required for assembly (not included): Phillips screwdriver, pliers, wire stripper, safety glasses, electrical tape, ladder.

Care and Maintenance

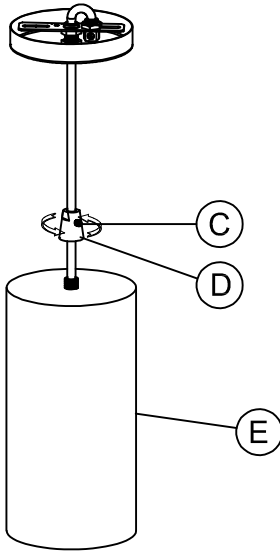
Shut off main power supply before cleaning product or changing light bulbs. To clean, wipe with damp cloth. Do not use abrasive cleaners or cleaners that contain alcohol.




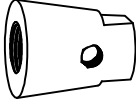
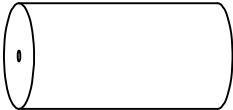
Missing parts? Please contact Customer Service at 1-800-447-1723 or customerservice@progresslighting.com, 8am-8pm (Eastern), Monday - Friday

Assembly Instructions for LED Version

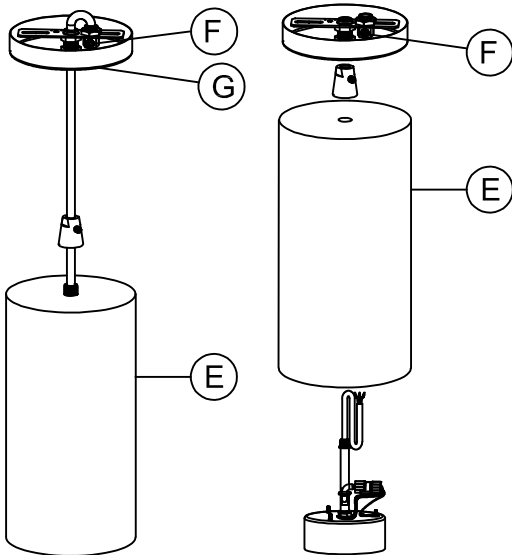
1





1. Use screwdriver to loosen the plastic screw (C). Unscrew the threaded nut (D) located on the top of the cylinder(E).

- | | | |
|-------------------|---|----|
| (C) Plastic screw |  | X1 |
| (D) Threaded nut |  | X1 |
| (E) Cylinder |  | X1 |

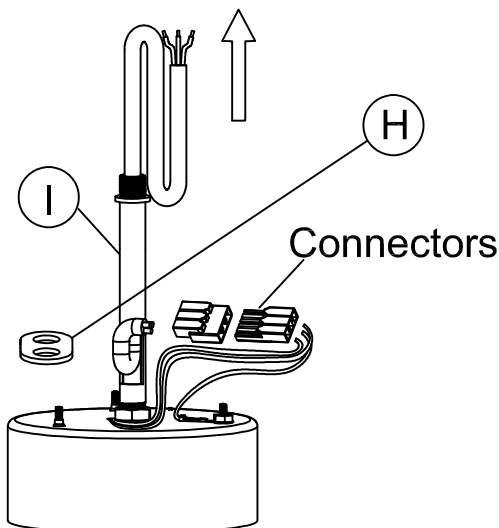
2



2. Loosen plastic screw(F) from plastic wire clip and remove cord from canopy assembly(G). Feed cord into cylinder (E) which will drop out the light engine assembly.

- | | | |
|---------------------|---|----|
| (F) Plastic screw |  | X1 |
| (G) Canopy assembly |  | X1 |

3

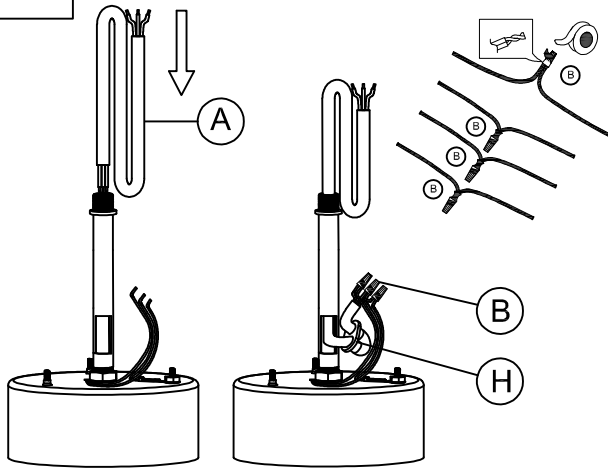


3. Cut WHITE wires, BLACK wires and GREEN wires to remove orange connectors. Remove strain relief (H) and pull cord out from metal tube (I).



- | | | |
|-------------------|---|----|
| (H) Strain relief |  | X1 |
|-------------------|---|----|

Assembly Instructions for LED Version

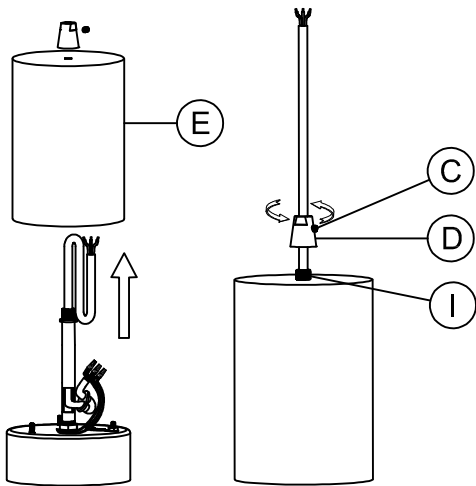
4



4. Measure desired installation height for fixture and cut cord to length leaving extra length to make electrical connections. Feed new cord (A) down through metal tube(I) and out the tube opening. Install strain relief (H). Strip 3/8" of insulation from the electrical wire ends. Use wire nuts (B) to connect the wires, BLACK to BLACK, WHITE to WHITE, GREEN to the ground wire.

- | | | |
|-------------------|---|----|
| (B) Wire nut |  | X3 |
| (H) Strain relief |  | X1 |

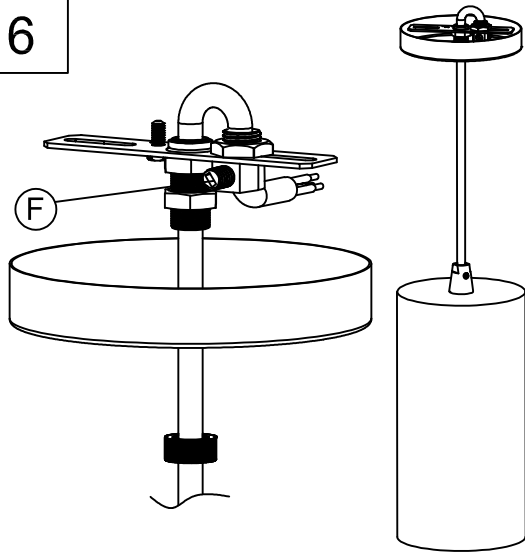
5



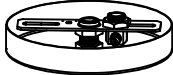

5. Insert light engine assembly into cylinder (E) feeding cord out top of cylinder. Insert cord through threaded nut (D). Screw nut (D) onto threaded end of metal tube (I) sticking out of cylinder body. Use screwdriver to tighten the plastic screw (C).

- | | | |
|----------------|---|----|
| (I) Metal tube |  | X1 |
|----------------|---|----|

6

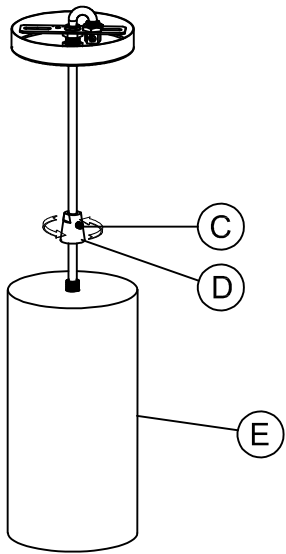


6. Slide the cord through canopy assembly (G) to desired length, tighten the plastic screw (F) back and cut additional cord. Keep cord minimum 6" beyond the wire clip. Remove cord jacket about 1" from the cord end.

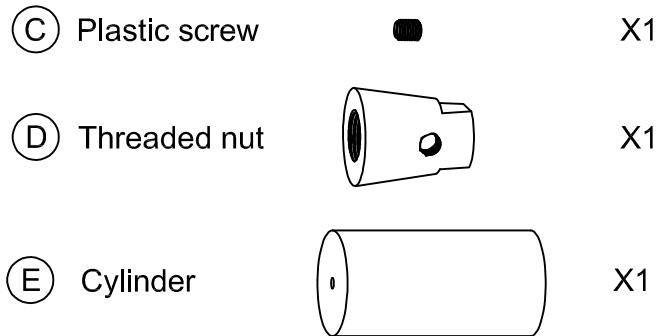
- | | | |
|---------------------|---|----|
| (G) Canopy assembly |  | X1 |
| (F) Plastic screw |  | X1 |

Assembly Instructions for Incandescent Version

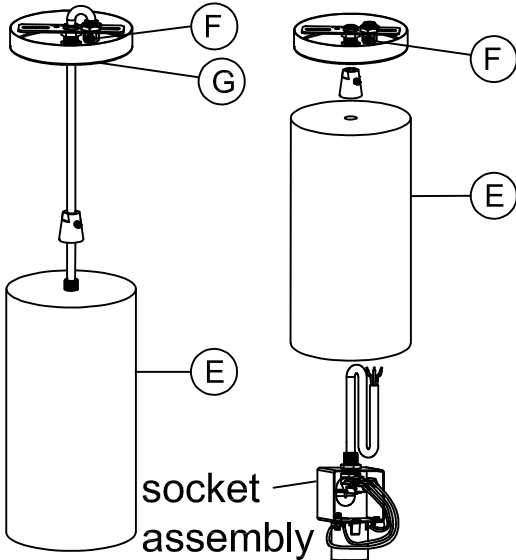
1



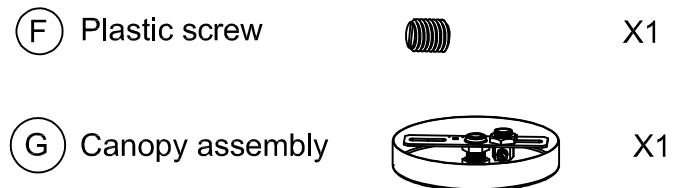
1. Use screwdriver to loosen the plastic screw (C). Unscrew the threaded nut (D) located on the top of the cylinder(E).



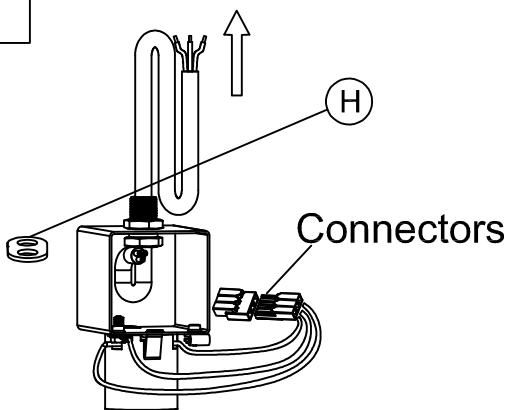
2



2. Loosen plastic screw(F) from plastic wire clip and remove wire from canopy assembly(G). Feed cord into cylinder (E) which will drop out the socket assembly.



3

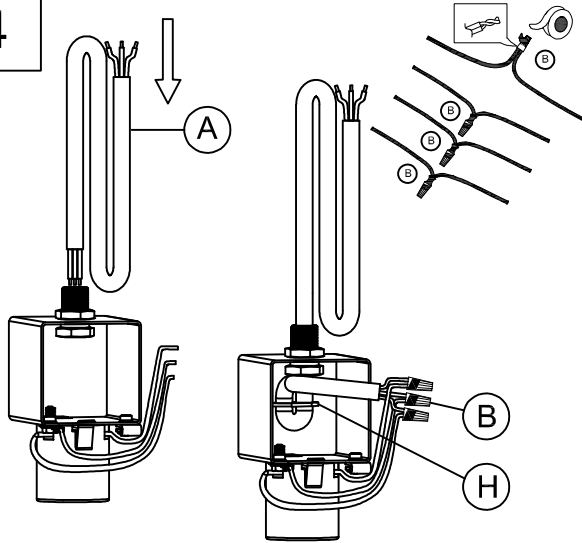


3. Cut WHITE wires, BLACK wires and GREEN wires to remove orange connectors. Remove strain relief (H) and pull cord out from socket assembly.



Assembly Instructions for Incandescent Version

4



4. Measure desired installation height for fixture and cut power cord to length leaving extra length to make electrical connections. Feed new cord (A) down through tube opening of socket assembly. Install strain relief (H). Strip 3/8" of insulation from the electrical wire ends. Use wire nuts (B) to connect the wires, BLACK to BLACK, WHITE to WHITE, GREEN to the GREEN wire.

(B) Wire nut



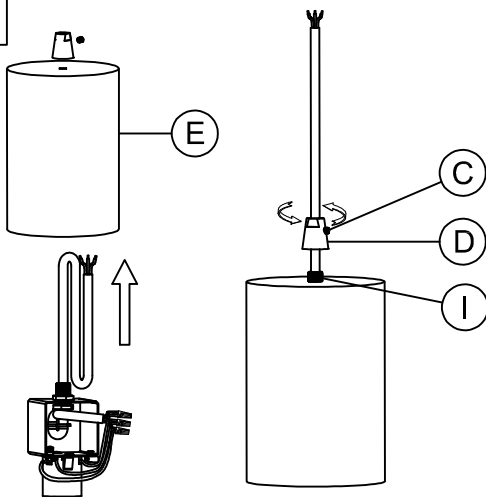
X3

(H) Strain relief



X1

5



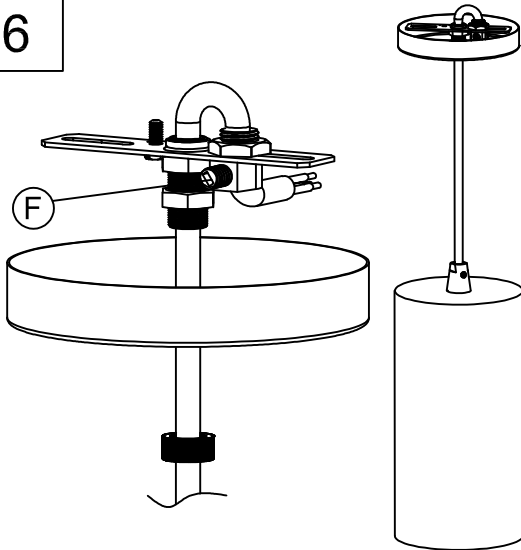
5. Insert socket assembly into cylinder (E) feeding cord out top of cylinder. Insert cord through threaded nut (D). Screw nut (D) onto threaded rod (I) of socket assembly sticking out of cylinder body. Use screwdriver to secure the plastic screw (C).

(I) Threaded rod



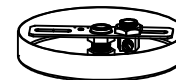
X1

6



6. Slide the cord through canopy assembly (G) to desired length, tighten the plastic screw (F) back and cut additional cord. Keep cord minimum 6" beyond the wire clip. Remove cord jacket about 1" from the cord end.

(G) Canopy assembly



X1

(F) Plastic screw



X1

Instrucciones de ensamblaje e instalación

Precaución: Lea cuidadosamente las instrucciones y desconecte la electricidad del cortacircuitos principal antes de iniciar la instalación.

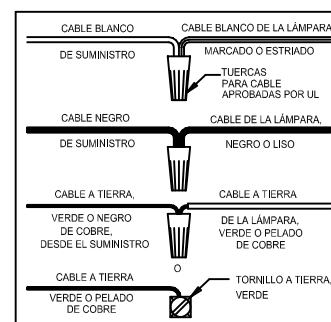
PRECAUCIÓN: Lea cuidadosamente las instrucciones y desconecte la electricidad del cortacircuitos principal antes de iniciar la instalación.

PRECAUCIÓN: Riesgo de fuego. Min. 90°C los cables de suministro. Consulte a un electricista calificado para asegurarse de que el conductor del circuito derivado correcto.

ADVERTENCIA: Si usa algún dispositivo especial de control con este aparato de luz, siga las instrucciones cuidadosamente para asegurar la completa conformidad con los requisitos N.E.C. Si existe alguna duda, contacte un electricista calificado.

PRECAUCION: El vidrio es frágil; tenga cuidado al manipular el (los) elemento(s) de vidrio y/o la(s) bombilla(s).

ADVERTENCIA: Para cumplir con los requisitos del National Electrical Code y Underwriters Laboratories, utilizar en interiores o exteriores.



Instructions d'Assemblage et Installation

Mise en garde: Lire les instructions avec soin et couper le courant au disjoncteur central avant de commencer l'installation.

MISE EN GARDE: Lire les instructions avec soin et couper le courant au disjoncteur central avant de commencer l'installation.
MISE EN GARDE: Risque d'incendie. Min 90°C conducteurs d'alimentation. Consulter un électricien qualifié pour assurer le bon conducteur de circuit de dérivation.

AVERTISSEMENT: S'il y a d'autres mécanismes régulateurs qui s'emploient avec ce dispositif, suivre soigneusement les instructions pour satisfaire aux exigences NEC. Si vous avez des questions, consulter un électricien qualifié.

MISE EN GARDE: Le verre est toujours fragile; maniez le(s) composant(s) et/ou l' (les) ampoule(s) avec prudence.

AVERTISSEMENT: Pour se conformer aux exigences du National Electrical Code et des Underwriters Laboratories, utiliser à l'intérieur ou à l'extérieur.

